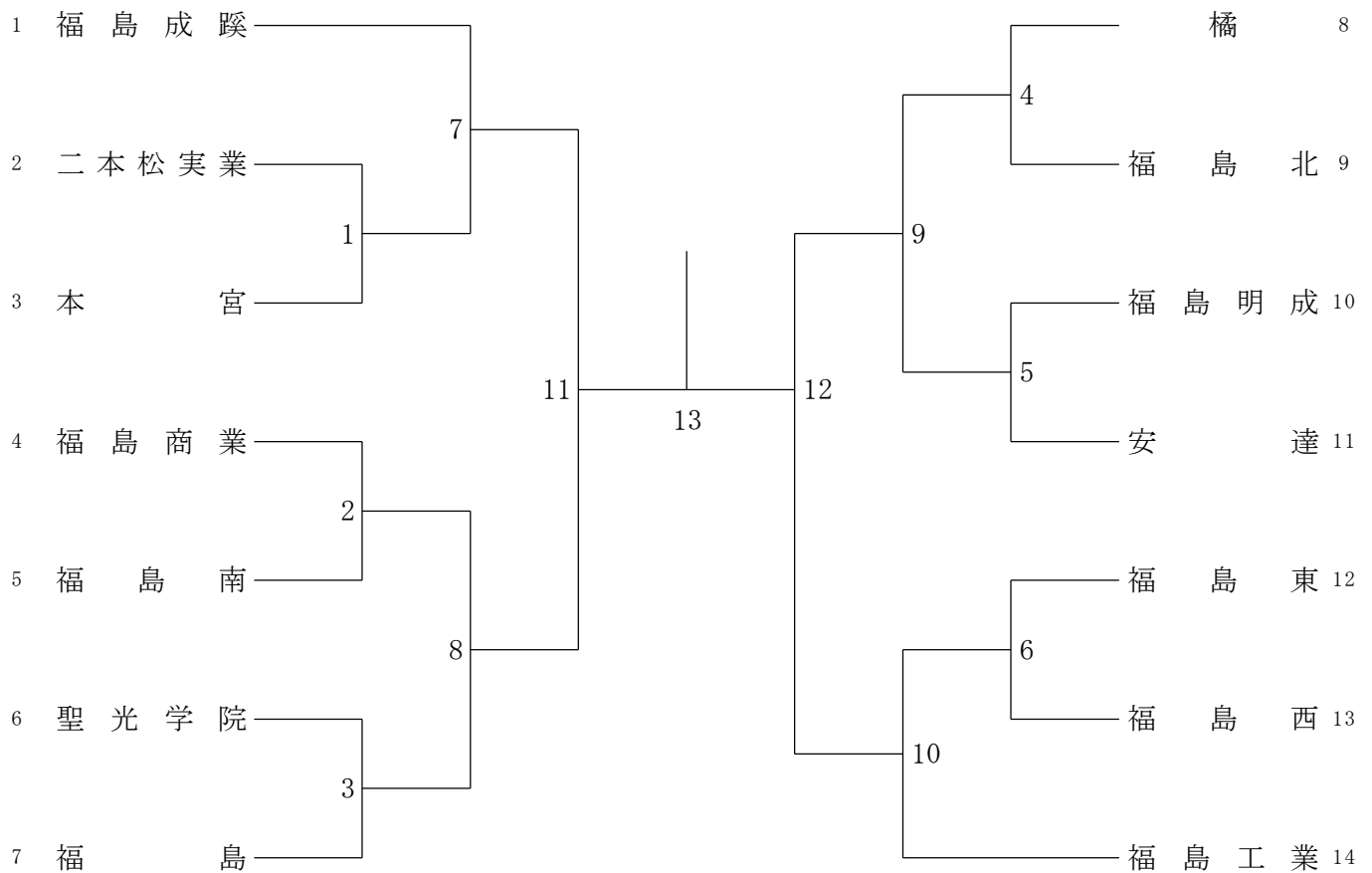


令和8年度 第72回福島県高等学校体育大会バドミントン競技 県北地区予選

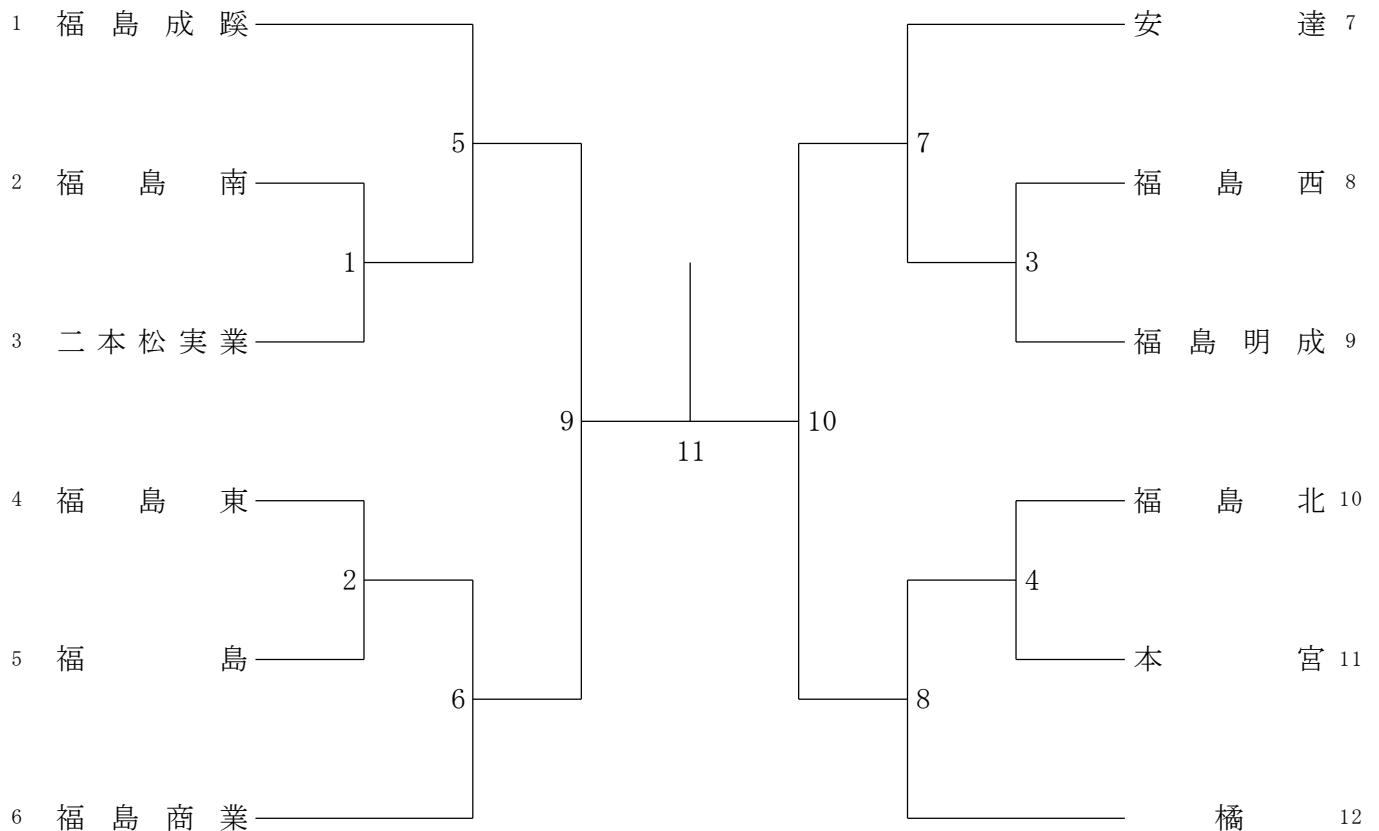
タイムテーブル

日	時間	メインアリーナ															サブアリーナ				
		1	2	3	4	5	7	8	9	10	11	12	13	14	15	16	17	18	19	20	21
5月12日(火)	9:50	BT1		BT2			BT3		BT4		BT5		BT6								
	11:15	GT1		GT2			GT3		GT4		BT7		BT8								
	12:30	BT9		BT10			GT5		GT6		GT7		GT8			BT1-1	BT1-2				
	13:45	BT11		BT12			GT9		GT10			GT1-1	GT1-2	GT1-3	GT1-4	BT1-3	BT1-4	BT1-5	BT1-6		
	15:00	BT決勝					GT決勝					GT1-5	GT1-6			BT1-7	BT1-8				
5月13日(水)	8:45	BD1	BD2	BD3	BD4	BD5	BD6	BD7	BD8	BD9	BD10	BD11	BD12	BD13	BD14	BD15	BD16	BD17	BD18	BD19	BD20
	9:10	BD21	BD22	BD23	BD24	BD25	BD26	BD27	BD28	BD29	BD30	BD31	BD32	BD33	BD34	BD35	BD36	BD37	BD38	GD1	GD2
	9:35	GD3	BD39	BD40	BD41	BD42	BD43	BD44	BD45	BD46	BD47	BD48	BD49	BD50	BD51	BD52	BD53	BD54	BD55	BD56	BD57
	10:00	BD58	BD59	BD60	BD61	BD62	BD63	BD64	BD65	BD66	BD67	BD68	BD69	BD70							
	10:25	GD4	GD5	GD6	GD7	GD8	GD9	GD10	GD11	GD12	GD13	GD14	GD15	GD16	GD17	GD18	GD19	GD20	GD21	GD22	GD23
	10:50	GD24	GD25	GD26	GD27	GD28	GD29	GD30	GD31	GD32	GD33	GD34	GD35								
	11:15	BD71	BD72	BD73	BD74	BD75	BD76	BD77	BD78	BD79	BD80	BD81	BD82	BD83	BD84	BD85	BD86				
	11:40	GD36	GD37	GD38	GD39	GD40	GD41	GD42	GD43	GD44	GD45	GD46	GD47	GD48	GD49	GD50	GD51				
	12:05	BD87	BD88	BD89	BD90	BD91	BD92	BD93	BD94												
	12:30	GD52	GD53	GD54	GD55	GD56	GD57	GD58	GD59												
	12:55	BD95	BD96	BD97	BD98						BD1-1	BD1-2	BD1-3	BD1-4	GD1-1	GD1-2	GD1-3	GD1-4			
	13:20	GD60	GD61	GD62	GD63						BD2-1	BD2-2			GD2-1	GD2-2					
	13:45	BD99	BD100								BD3-1				GD3-1						
	14:10	GD64	GD65		BS1	BS2	BS3	BS4	BS5	BS6	BS7	BS8	BS9	BS10	BS11	BS12	BS13	BS14	BS15	BS16	BS17
	14:35	BD決	GD決		BS18	BS19	BS20	BS21	BS22	BS23	BS24	BS25	BS26	BS27	BS28	BS29	BS30	BS31	BS32	BS33	BS34
	15:00			BS35	BS36	BS37	BS38	BS39	BS40	BS41	BS42	BS43	BS44	BS45	BS46	BS47	BS48	BS49	BS50	BS51	BS52
	15:25	BS53	BS54	BS55	BS56	BS57	BS58	BS59	BS60	BS61	BS62	BS63	BS64	BS65	BS66	BS67	BS68	BS69	BS70	BS71	BS72
15:50	BS73	BS74	BS75	BS76	BS77	BS78	BS79	BS80	BS81	BS82	BS83	BS84	BS85	BS86							
16:15	GS1	GS2	GS3	GS4	GS5	GS6	GS7	GS8	GS9	GS10	GS11	GS12	GS13	GS14							
5月14日(木)	8:45	BS87	BS88	BS89	BS90	BS91	BS92	BS93	BS94	BS95	BS96	BS97	BS98	BS99	BS100	BS101	BS102	BS103	BS104	BS105	BS106
	9:10	BS107	BS108	BS109	BS110	BS111	BS112	BS113	BS114	BS115	BS116	BS117	BS118	BS119	BS120	BS121	BS122	BS123	BS124	BS125	BS126
	9:35	BS127	BS128	BS129	BS130	BS131	BS132	BS133	BS134	BS135	BS136	BS137	BS138	BS139	BS140	BS141	BS142	BS143	BS144	BS145	BS146
	10:00	BS147	BS148	BS149	BS150																
	10:25	GS15	GS16	GS17	GS18	GS19	GS20	GS21	GS22	GS23	GS24	GS25	GS26	GS27	GS28	GS29	GS30	GS31	GS32	GS33	GS34
	10:50	GS35	GS36	GS37	GS38	GS39	GS40	GS41	GS42	GS43	GS44	GS45	GS46	GS47	GS48	GS49	GS50	GS51	GS52	GS53	GS54
	11:15	GS55	GS56	GS57	GS58	GS59	GS60	GS61	GS62	GS63	GS64	GS65	GS66	GS67	GS68	GS69	GS70	GS71	GS72	GS73	GS74
	11:40	GS75	GS76	GS77	GS78																
	12:05	BS151	BS152	BS153	BS154	BS155	BS156	BS157	BS158	BS159	BS160	BS161	BS162	BS163	BS164	BS165	BS166	BS167	BS168	BS169	BS170
	12:30	BS171	BS172	BS173	BS174	BS175	BS176	BS177	BS178	BS179	BS180	BS181	BS182								
	12:55	GS79	GS80	GS81	GS82	GS83	GS84	GS85	GS86	GS87	GS88	GS89	GS90	GS91	GS92	GS93	GS94	GS95	GS96	GS97	GS98
	13:20	GS99	GS100	GS101	GS102	GS103	GS104	GS105	GS106	GS107	GS108	GS109	GS110								
	13:45	BS183	BS184	BS185	BS186	BS187	BS188	BS189	BS190	BS191	BS192	BS193	BS194	BS195	BS196	BS197	BS198				
	14:10	GS111	GS112	GS113	GS114	GS115	GS116	GS117	GS118	GS119	GS120	GS121	GS122	GS123	GS124	GS125	GS126				
	14:35	BS199	BS200	BS201	BS202	BS203	BS204	BS205	BS206												
	15:00	GS127	GS128	GS129	GS130	GS131	GS132	GS133	GS134												
	15:25	BS207	BS208	BS209	BS210		GS135	GS136	GS137	GS138		BS1-1	BS1-2	BS1-3	BS1-4	GS1-1	GS1-2	GS1-3	GS1-4		
15:50	BS211	BS212				GS139	GS140				BS2-1	BS2-2			GS2-1	GS2-2					
16:15	BS決					GS決					BS3-1										
0.94	閉会式																				

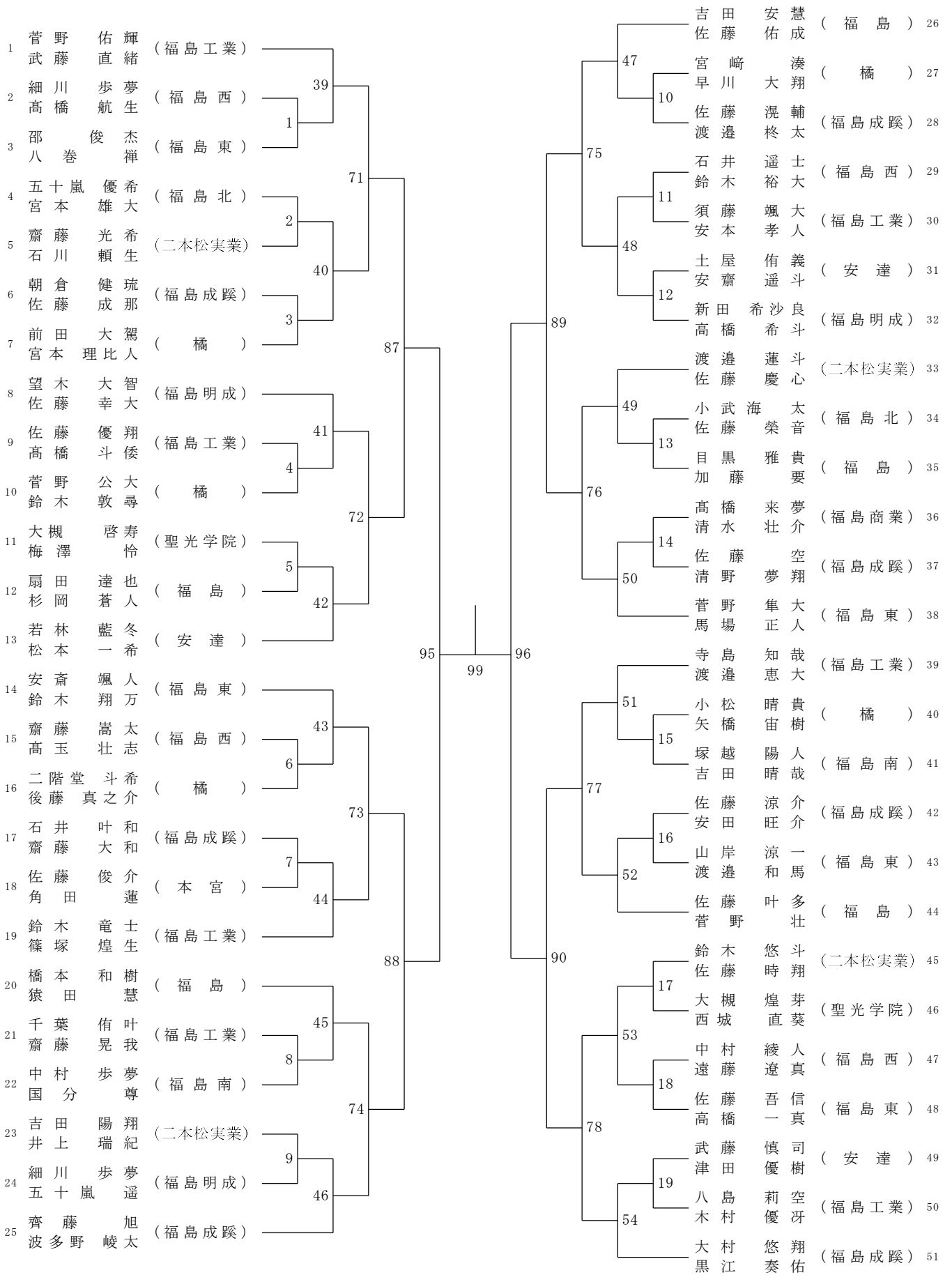
男子学校対抗 (B T)



女子学校対抗 (G T)



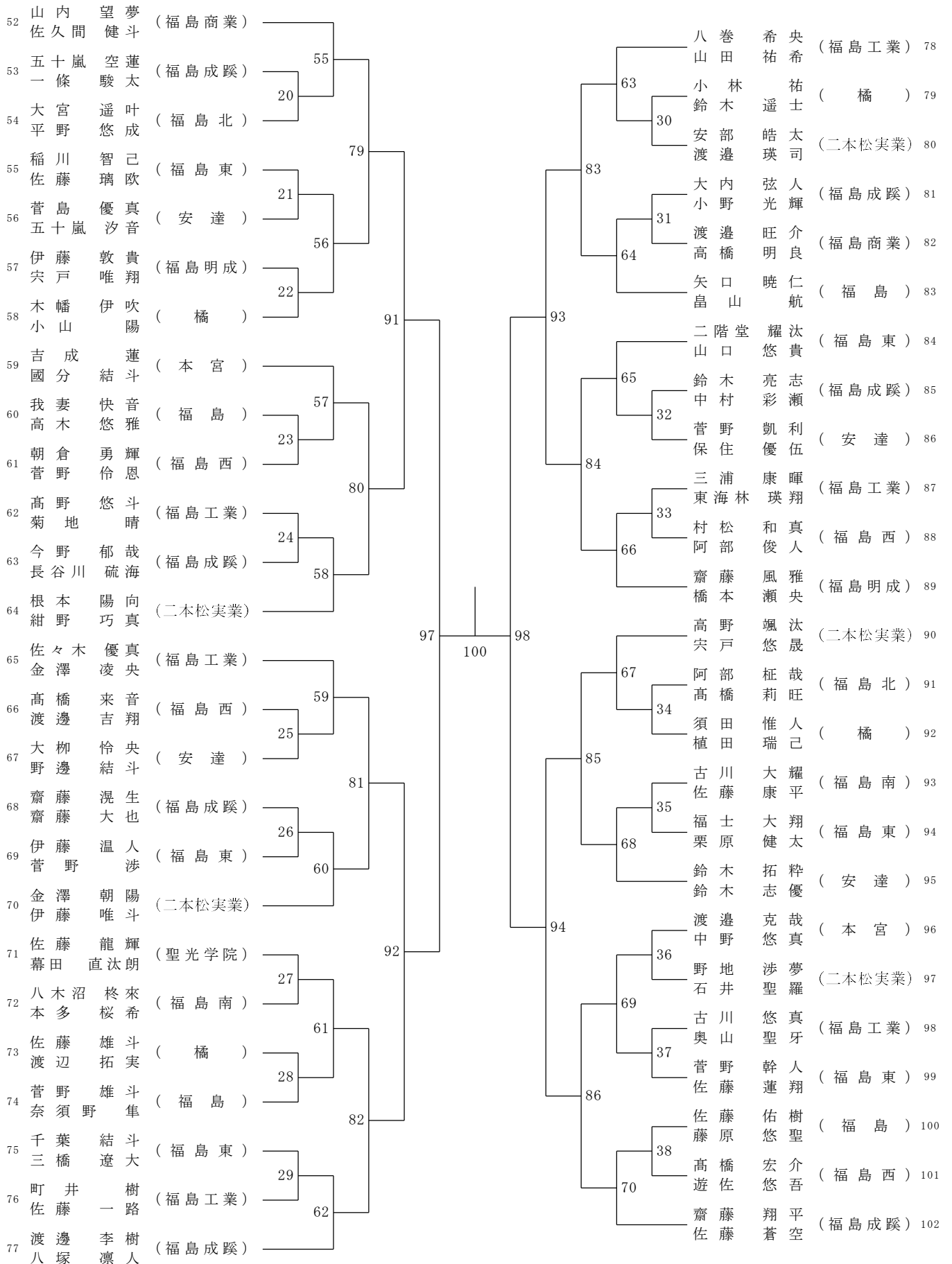
男子ダブルス (BD) - 1



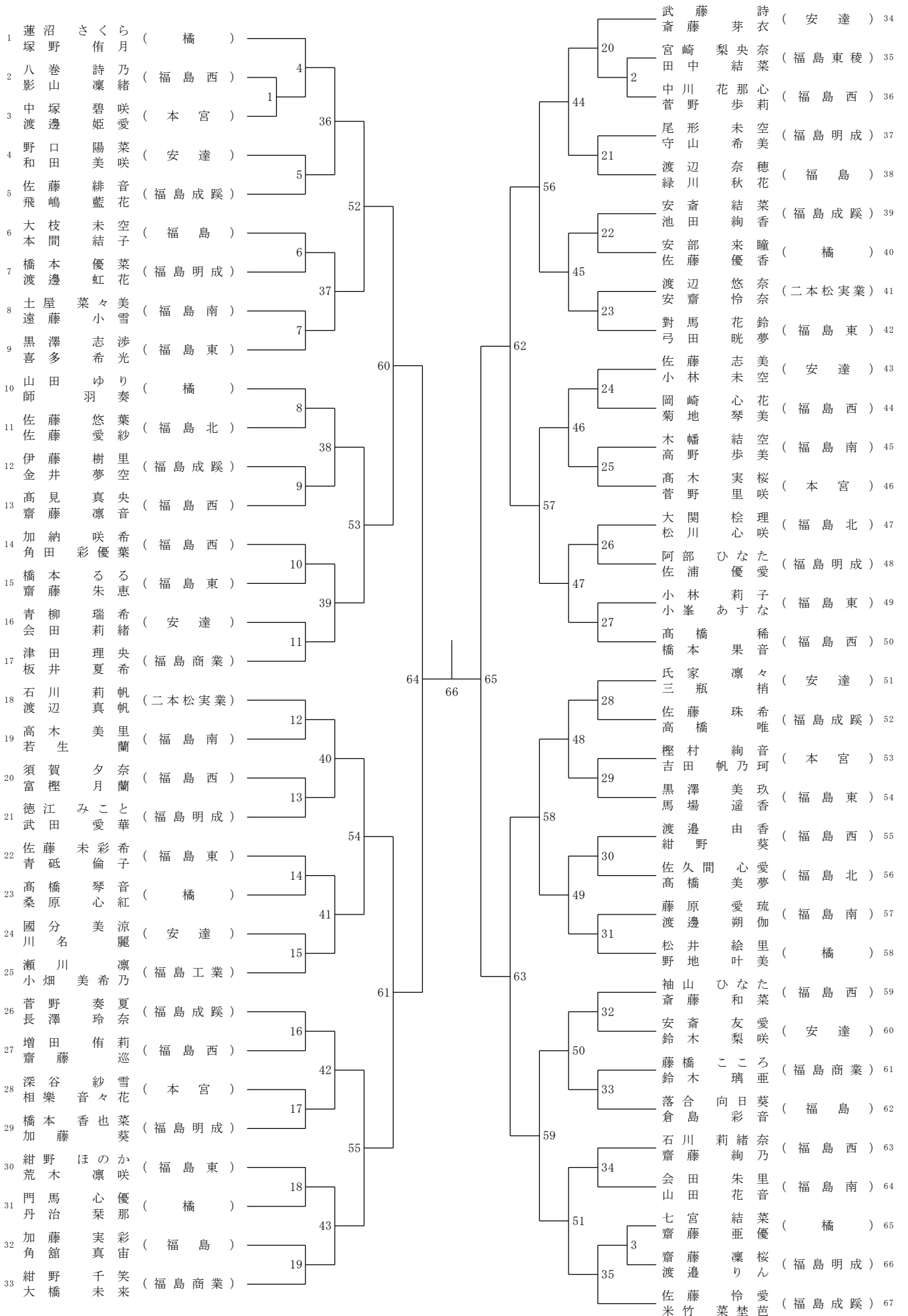
決勝戦

101

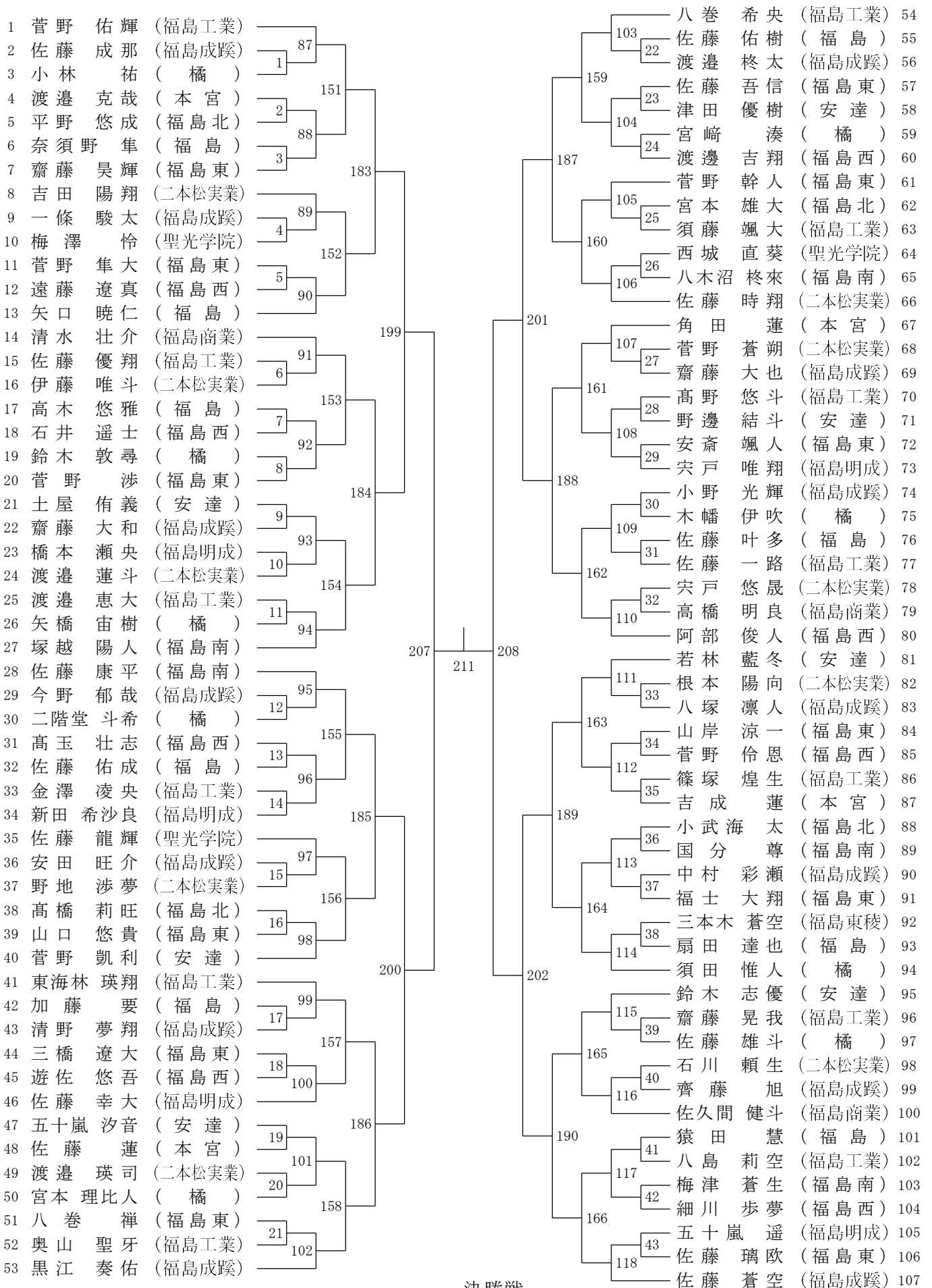
男子ダブルス (BD) - 2



女子ダブルス (GD)

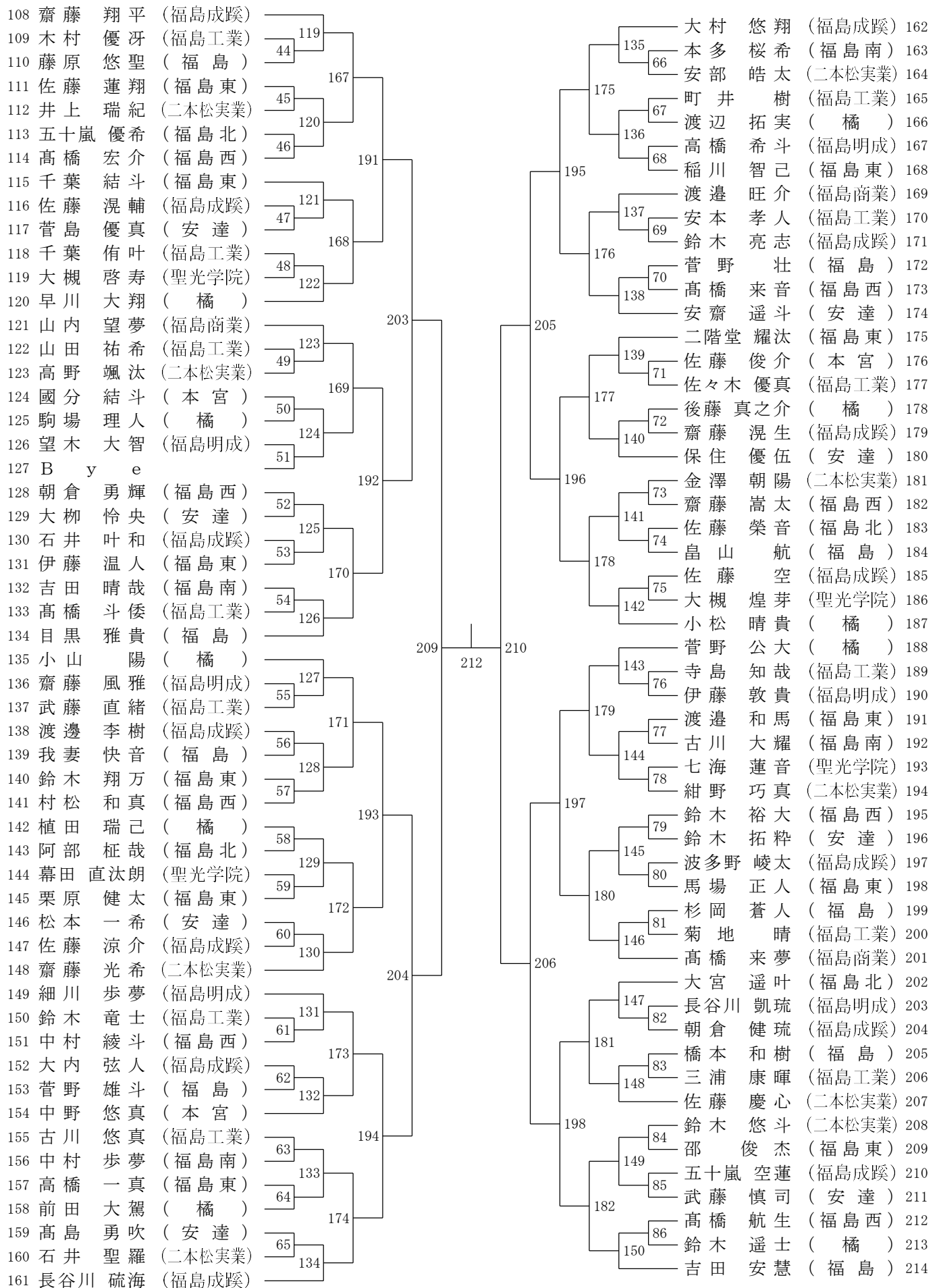


男子シングルス (B S) - 1

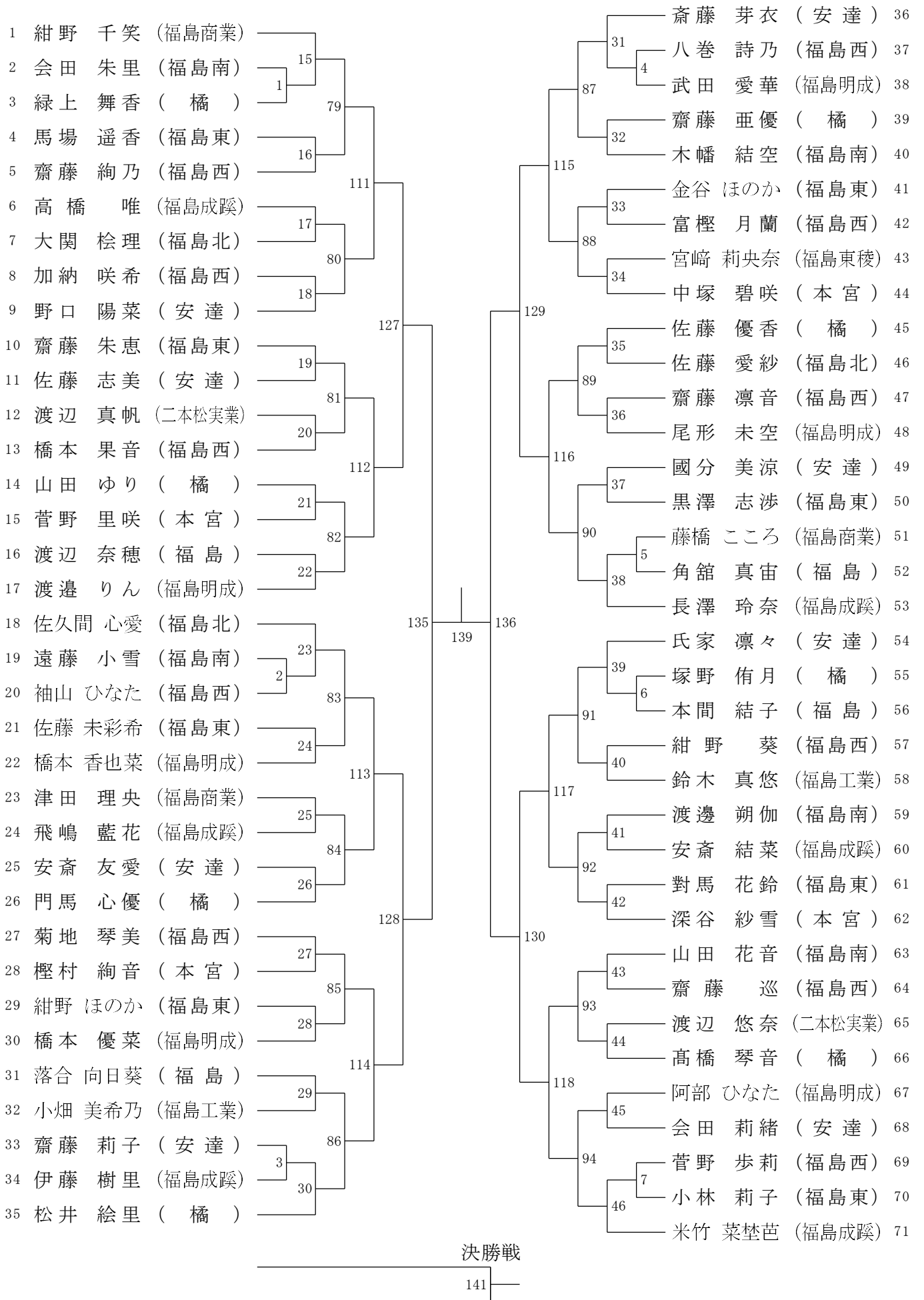


決勝戦

男子シングルス (B S) - 2



女子シングルス (GS) - 1



女子シングルス (GS) - 2

